

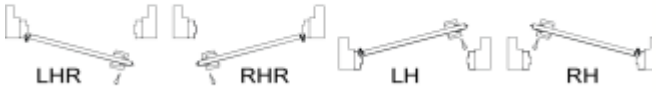
SMP Sound Doors and Frames Order Form

Distributor Name _____			PO No. _____			Job Name: _____			Date: _____					
Address: _____			Preparer: _____											
City: _____ State: _____ Zip: _____			Distributor Phone: _____			Distributor e-mail: _____								
Ship To Name _____			Jobsite Contact: _____			Required Ship Date: _____								
Address: _____			Jobsite Phone: _____									Jobsite e-mail: _____		
City: _____ State: _____ Zip: _____			SMP Use Only:			Region # _____	Job # _____	Est. # _____	Hardware					

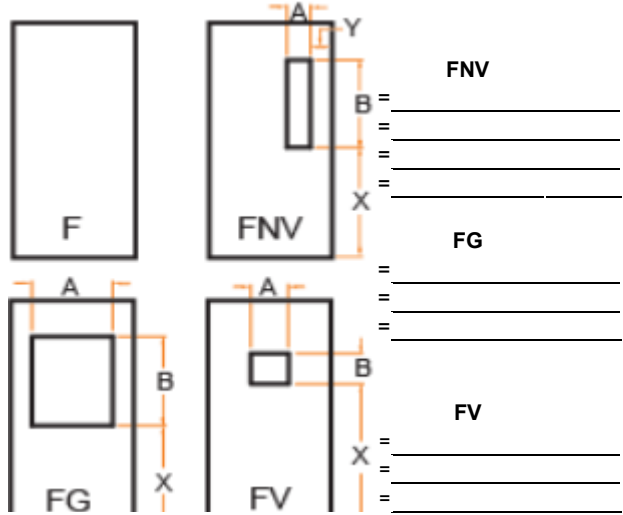
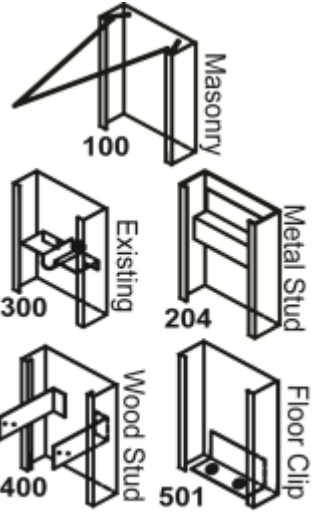
Opening Number	STC Rating	Swing	Open'g Width	Open'g Height	Frame Type	Frame Head Face	Frame Jamb Face	Jamb Depth	Jamb Throat	Anchor Type	Door Material	Door Type*	Fire Label	Mfr. Locations	Latching device	Hinge	Closer	Misc	Misc	

Swing Chart

Secure Side (Interior)



Public "Key" Side (Exterior)



- Notes:**
1. Please review hardware restrictions on "Notes" sheet 2
 2. All frames have 1/2" returns.
 3. Cam-Lift hinges will be located at 5/10/Eq.
 4. Opening width and opening height columns = frame opening dimensions (Jamb to Jamb)
 5. Door types - Fill in door clear (visible) vision dimensions - (BOJ = Bottom of Jamb)
 - * If vision door, please advise glass thickness on sheet 2, glass and glazing is by others.
 6. Jamb depth = throat + 1".
 7. If "Other" is chosen in columns please advise on attached sheet 2.
 8. Type 501 fixed floor anchor is provided on all frames.

9. If special floor conditions occur, please advise on sheet 2.





SMP Sound Doors and Frames Order Form

ASSA ABLOY

Distributor Name 0	PO No. 0	Job Name 12/31/1899	Date 12/31/1899
---------------------------	-----------------	----------------------------	------------------------

Notes:

1. Cylindrical locks require a 3-3/4" backset in order to avoid interference with our sound seal assembly.
2. Bottom flushbolts at inactive leafs cannot be provided when a mortised door bottom is used - surface bolts are recommended.

Please review our "Hardware Information" page on our website www.secmet.com for further information and recommendations.

Customer Notes:

1
2
3
4
5
6
7
8
9
10
11
12
13
14
15
16

